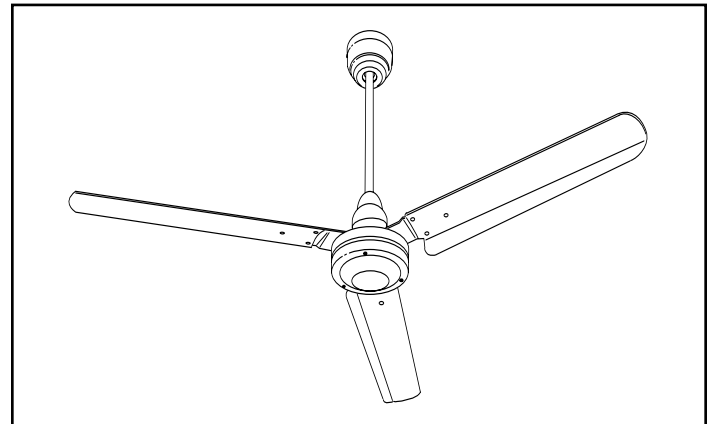


DESCRIPTION

- 56" commercial ceiling fan
- Recirculates trapped ceiling heat
- 3 contoured metal blades maximize air movement
- 6" down rod included, additional lengths sold separately

CFC56 Series Ceiling Fans

MODELS CFC56WH, CFC56BR



BLADE ARM PITCH

Model	Angle
CFC56WH	5°
CFC56BR	5°

PERFORMANCE

Model	RPM	CFM
CFC56WH	179	6118
CFC56BR	179	6118

ELECTRICAL RATINGS

Model	Volts	Hz	Fan Watts	Amps (without light)
CFC56WH	120	60	64.4	0.6
CFC56BR	120	60	64.4	0.6

Broan-NuTone LLC Hartford, Wisconsin www.nutone.com 888-336-3948

REFERENCE	QTY.	REMARKS	Project
			Location
			Architect
			Engineer
			Contractor
			Submitted by Date